

# WMP



Labels for Life.

## WIRE MARKING PRODUCTS



[www.identco.com](http://www.identco.com)

IDENTCO partners with industrial, transportation, and electronics customers across the globe to develop high performance labeling solutions that outlast the products they identify. We have a singular focus: labeling solutions. Adopting this singular focus has allowed us to develop and refine our processes over the past 30 years, and become leaders in collaborative, technology driven solutions.

IDENTCO TTP™ solutions offer optimal labels, ribbons, and equipment for your company's on-demand identification needs.

## WMP™ – WIRE MARKING PRODUCTS

- Heat Shrink Sleeves (formatted and continuous)
- Self-laminating Cable Identification Labels
- Cable Tags
- Temporary Wire Markers
- Thermal Transfer Ribbons



## CPP™ – CUSTOM PRINTED PRODUCTS

- Brand Recognition Labels
- Graphic Overlays
- UL / CSA Nameplates
- Information & Instructional Labels
- Security & Anti-Counterfeiting Labels



## DCP™ – DIE CUT PRODUCTS

- Protective Masks & Lenses
- Adhesives & Bonding
- Insulators
- Custom Engineered Products



## TTP™ – THERMALTRANSFER PRODUCTS

- Stock Blank Labels
- Custom Blank and Pre-printed Labels
- Labels for Automatic Placement Equipment
- Thermal Transfer Ribbons
- Thermal Transfer Printers & Label Software
- Scanners, Rewinders, Dispensers, & SMT Label Feeders



# WMP™

## WIRE MARKING PRODUCTS



Labels for Life.



<b>IMS Series</b>	<b>Heat Shrink Wire Markers</b>	<b>2</b>
<b>Wire Size Chart</b>	<b>Find Your Shrink Sleeve Size</b>	<b>3</b>
<b>Wire &amp; Cable Identification Labels</b>	<b>TTL™ 200 Series</b>	<b>4</b>
<b>TTL™ 200 Series size chart</b>	<b>Find your identification label size</b>	<b>5</b>
<b>TTL™ 200 Series Product Specifications</b>	<b>Illustrations &amp; Reference: TTL™ 200</b>	<b>6-8</b>
<b>CMT Series</b>	<b>Cable Marker Tags</b>	<b>9</b>
<b>TTRR™ Series</b>	<b>Thermal Transfer Resin Ribbons</b>	<b>10</b>
<b>TTR™ Series</b>	<b>Thermal Transfer Wax Ribbons</b>	<b>11</b>
<b>Thermal Transfer Printers</b>	<b>ELP-D™ &amp; ELP-I™ &amp; ELP-I2™ Series Printers</b>	<b>12-13</b>

# HEAT SHRINK WIRE MARKERS

## IMS SERIES

### HIGHLIGHTS

- Military grade standards
- 2:1 shrink ratio standard (3:1 available)
- Thermal transfer printable
- Chemical and abrasion resistance
- Custom colors and sizes available

### FEATURES

- Multiple shrink ratios
- Permanent identification sleeves
- Made from a flame retardant, radiation cross-linked heat shrinkable polyolefin
- Quick cool down time for heat sensitive areas
- Optimal performance when printed with the recommended IDENTCO TTRR™-D ribbon and printer
- Resistant to harsh chemicals, abrasion, as well as many fuels & oils

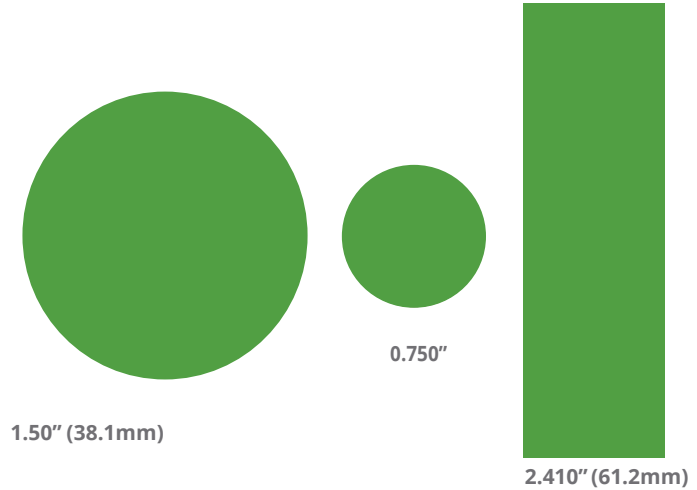
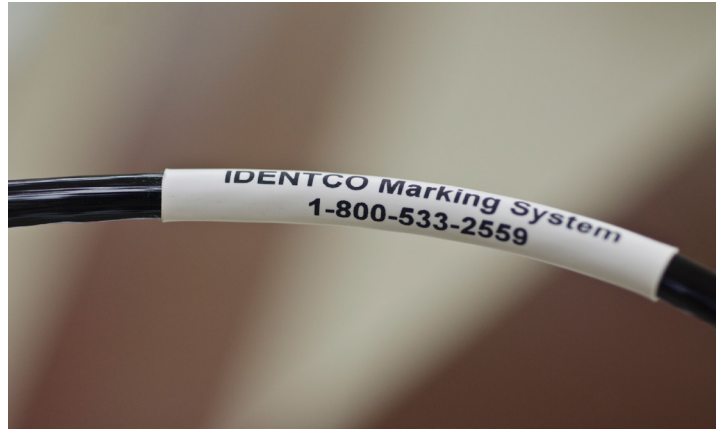
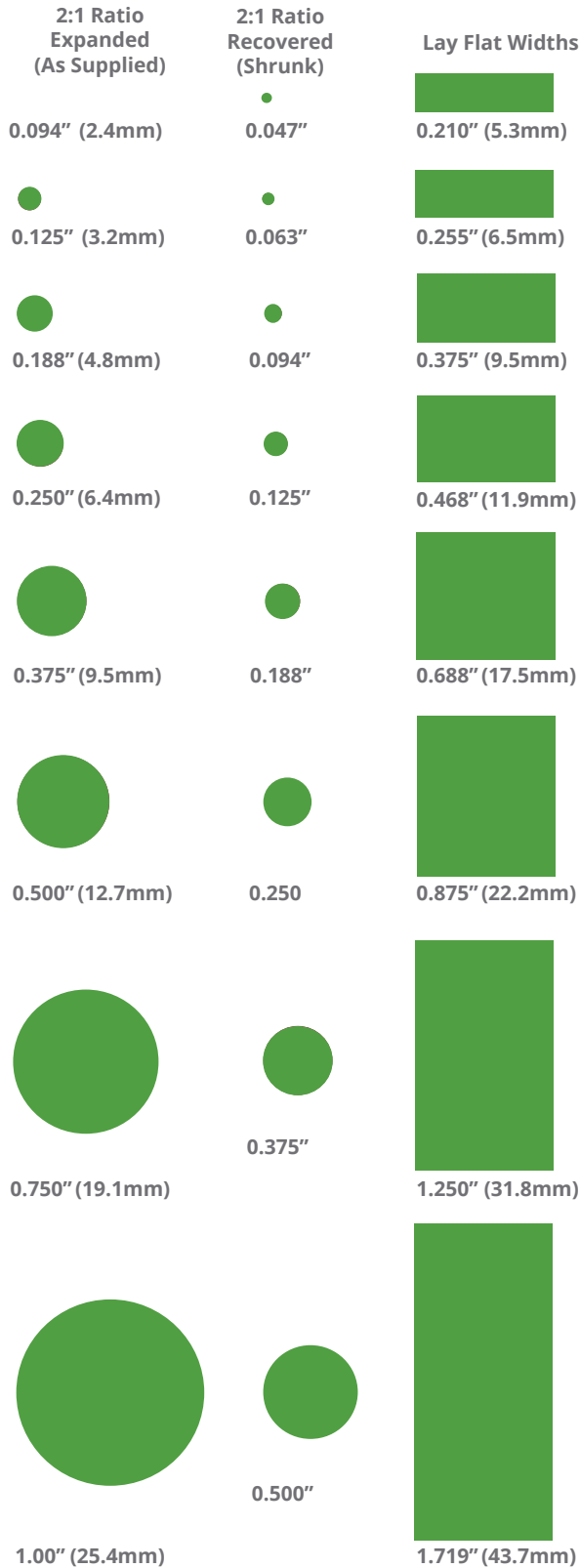


### SM SERIES 2:1 RATIO

Part Number	Size in.	Size mm
IMS-2.0-.094SM-2.5W	3/32"	2.4
IMS-2.0-.125SM-2.0W	1/8"	3.2
IMS-2.0-.188SM-1.5W	3/16"	4.8
IMS-2.0-.250SM-1.5W	1/4"	6.4
IMS-2.0-.375SM-1.0W	3/8"	9.5
IMS-2.0-.500SM-0.5W	1/2"	12.7
IMS-2.0-.750SM-0.5W	3/4"	19.1
IMS-2.0-1.00SM-0.25W	1"	25.4
IMS-2.0-1.50SM-0.25W	1 1/2"	38.1



# WIRE SIZE CHART



**DIAMETERS AND LAY FLAT WIDTHS SHOWN AT ACTUAL SIZE. SIMPLY PLACE YOUR WIRE ON THE EXPANDED CHART, TO FIND YOUR SHRINK SLEEVE SIZE.**

## SIZE COMPARISON CHART

Part Number	Size in.	Size mm
IMS-2.0-.094SM-2.5W	3/32	2.4
IMS-2.0-.125SM-2.0W	1/8	3.2
IMS-2.0-.188SM-1.5W	3/16	4.8
IMS-2.0-.250SM-1.5W	1/4	6.4
IMS-2.0-.375SM-1.0W	3/8	9.5
IMS-2.0-.500SM-0.5W	1/2	12.7
IMS-2.0-.750SM-0.5W	3/4	19.1
IMS-2.0-1.00SM-0.25W	1	25.4
IMS-2.0-1.50SM-0.25W	1-1/2	38.1

# WIRE & CABLE IDENTIFICATION LABELS

## TTL™ 200 SERIES

### HIGHLIGHTS

- Excellent product conformity
- Unique “site-hole” technology
- **UL approved\***

### FEATURES

- Thermal transfer printable
- Self-laminating vinyl film
- Custom sizes, colors, and formats

Designed for cable and wire identification, the TTL™ 200 Series also works on other surfaces requiring conformability. IDENTCO unique “site-hole” technology allows virtually any thermal transfer printer to print clear self-laminating labels accurately with minimal waste.

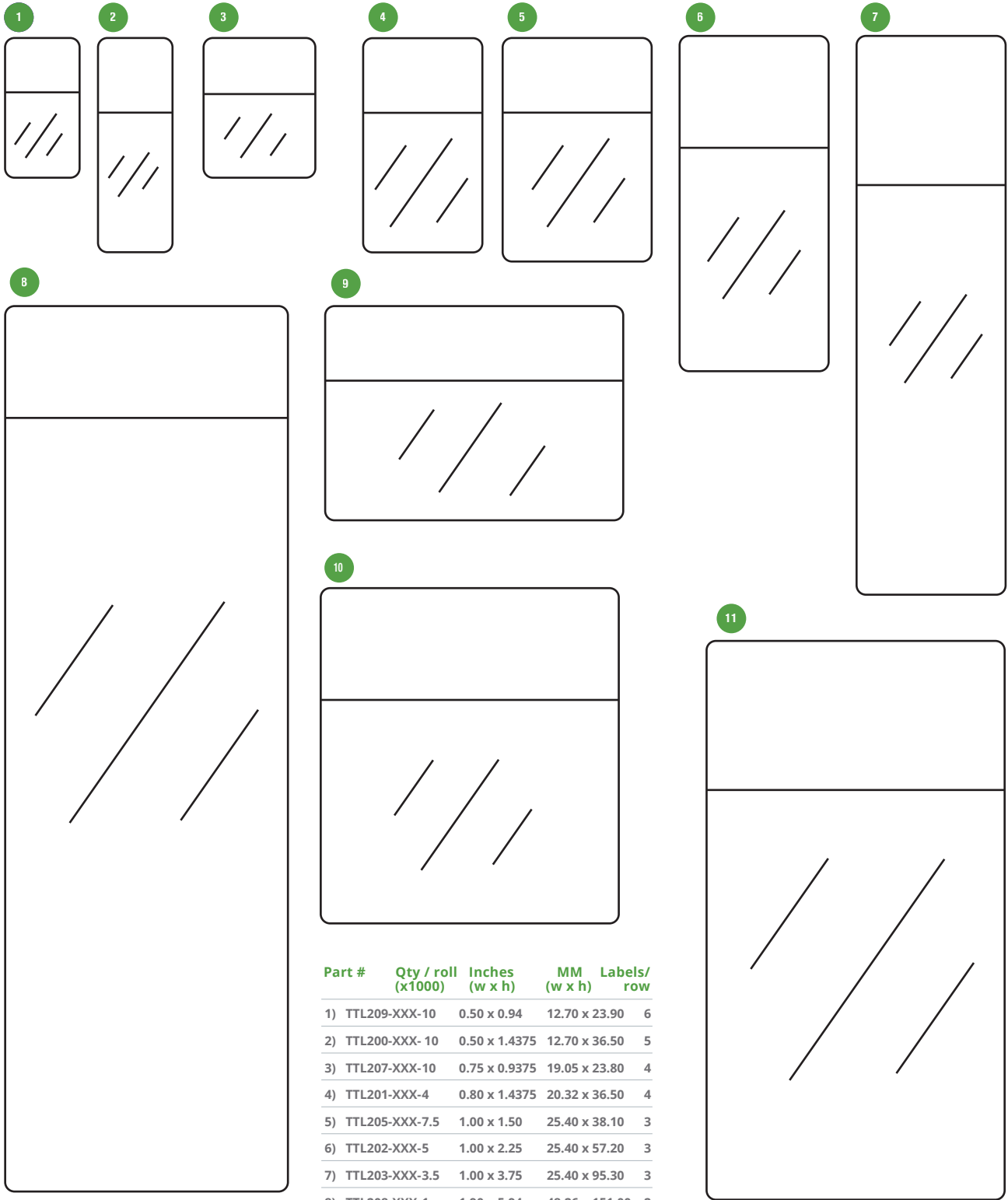
IDENTCO wire and cable labels have been thoroughly tested and qualified to match the TTRR™-A ribbon.

Combining the wire and cable labels with the TTRR™-A ribbon promises optimal print quality, **UL recognition** and lifelong product labels.

**\*UL recognition is contingent upon printing with the appropriate IDENTCO material and TTRR™ ribbon combination as specified by Underwriters Laboratories testing.**



# TTL™ 200 SERIES



Part #	Qty / roll (x1000)	Inches (w x h)	MM (w x h)	Labels/ row
1) TTL209-XXX-10		0.50 x 0.94	12.70 x 23.90	6
2) TTL200-XXX-10		0.50 x 1.4375	12.70 x 36.50	5
3) TTL207-XXX-10		0.75 x 0.9375	19.05 x 23.80	4
4) TTL201-XXX-4		0.80 x 1.4375	20.32 x 36.50	4
5) TTL205-XXX-7.5		1.00 x 1.50	25.40 x 38.10	3
6) TTL202-XXX-5		1.00 x 2.25	25.40 x 57.20	3
7) TTL203-XXX-3.5		1.00 x 3.75	25.40 x 95.30	3
8) TTL208-XXX-1		1.90 x 5.94	48.26 x 151.00	2
9) TTL210-XXX-2.5		2.00 x 1.4375	50.80 x 36.50	2
10) TTL204-XXX-1		2.00 x 2.25	50.80 x 57.20	1
11) TTL206-XXX-1		2.00 x 3.75	50.80 x 95.30	1

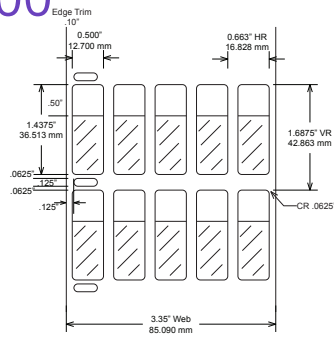
Labels shown actual size 5

**0.500" x 1.438"**  
**12.70 mm x 36.51 mm**

**Part Number**    **Material Description**    **TTRR™**

**TTL™ 200**

TTL200-727-10    Self-Laminating Vinyl with White Thermal Transfer Printable Area    A

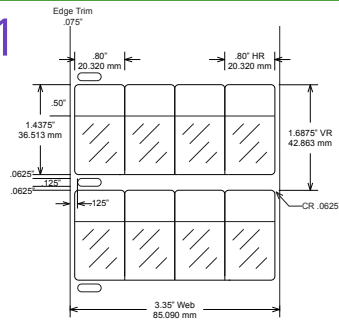


**0.800" x 1.438"**  
**20.32 mm x 36.51 mm**

**Part Number**    **Material Description**    **TTRR™**

**TTL™ 201**

TTL201-727-10    Self-Laminating Vinyl with White Thermal Transfer Printable Area    A

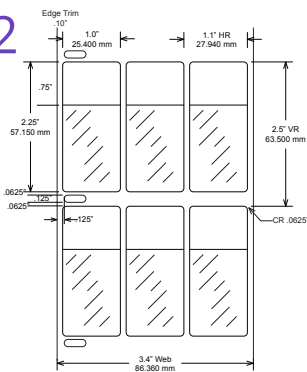


**1.000" x 2.250"**  
**25.40 mm x 57.15 mm**

**Part Number**    **Material Description**    **TTRR™**

**TTL™ 202**

TTL202-727-5    Self-Laminating Vinyl with White Thermal Transfer Printable Area    A

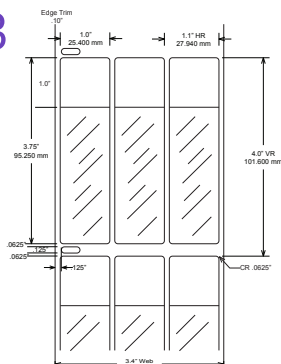


**1.000" x 3.750"**  
**25.40 mm x 95.25 mm**

**Part Number**    **Material Description**    **TTRR™**

**TTL™ 203**

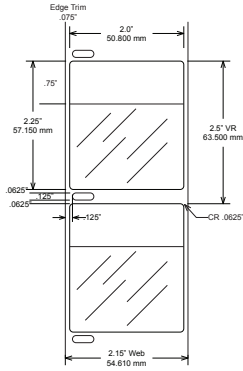
TTL203-727-3.5    Self-Laminating Vinyl with White Thermal Transfer Printable Area    A





**2.000" x 2.250"**  
**50.80 mm x 57.15 mm**

**TTL™ 204**

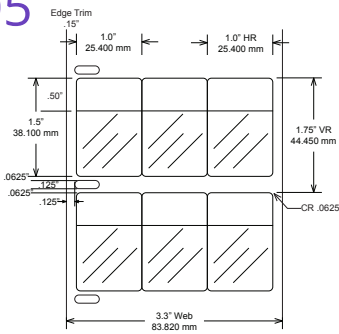


**Part Number**    **Material Description**    **TTRR™**

TTL204-727-1    Self-Laminating Vinyl with White Thermal Transfer Printable Area    A

**1.000" x 1.500"**  
**25.40 mm x 38.10 mm**

**TTL™ 205**

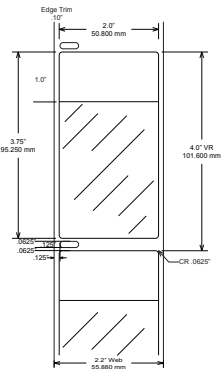


**Part Number**    **Material Description**    **TTRR™**

TTL205-727-7.5    Self-Laminating Vinyl with White Thermal Transfer Printable Area    A

**2.000" x 3.750"**  
**50.80 mm x 95.25 mm**

**TTL™ 206**

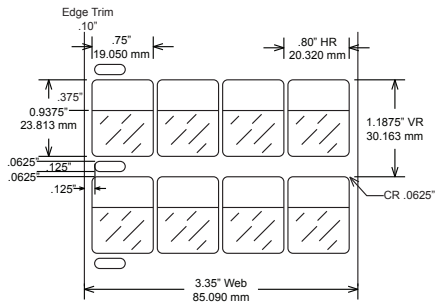


**Part Number**    **Material Description**    **TTRR™**

TTL206-727-1    Self-Laminating Vinyl with White Thermal Transfer Printable Area    A

**0.750" x 0.938"**  
**19.05 mm x 23.81 mm**

**TTL™ 207**

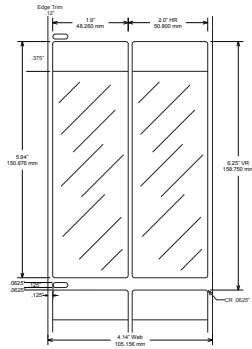


**Part Number**    **Material Description**    **TTRR™**

TTL207-727-10    Self-Laminating Vinyl with White Thermal Transfer Printable Area    A

**1.900" x 5.940"**  
**48.26 mm x 150.88 mm**

**TTL™ 208**



**Part Number**

**Material Description**

**TTRR™**

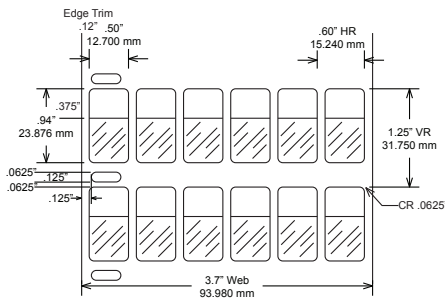
TTL208-727-1

Self-Laminating Vinyl with White Thermal Transfer Printable Area

A

**0.500" x 0.940"**  
**12.70 mm x 23.88 mm**

**TTL™ 209**



**Part Number**

**Material Description**

**TTRR™**

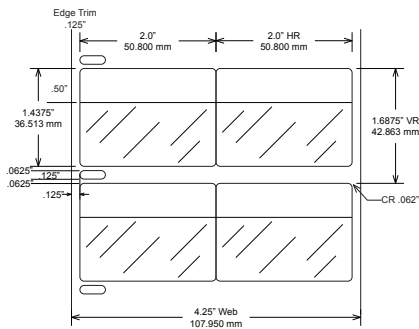
TTL209-727-10

Self-Laminating Vinyl with White Thermal Transfer Printable Area

A

**2.000" x 1.438"**  
**50.80 mm x 36.51 mm**

**TTL™ 210**



**Part Number**

**Material Description**

**TTRR™**

TTL210-727-2.5

Self-Laminating Vinyl with White Thermal Transfer Printable Area

A

# CABLE MARKER TAGS

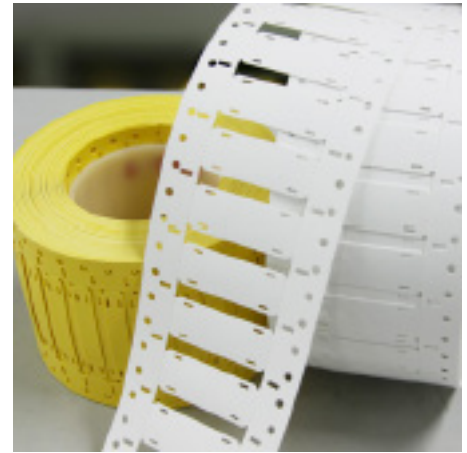
## CMT SERIES

### HIGHLIGHTS

- Permanent and temporary wire and cable marking
- Indoor and outdoor applications
- Attach to a wire, cable or bundle using cable ties

### FEATURES

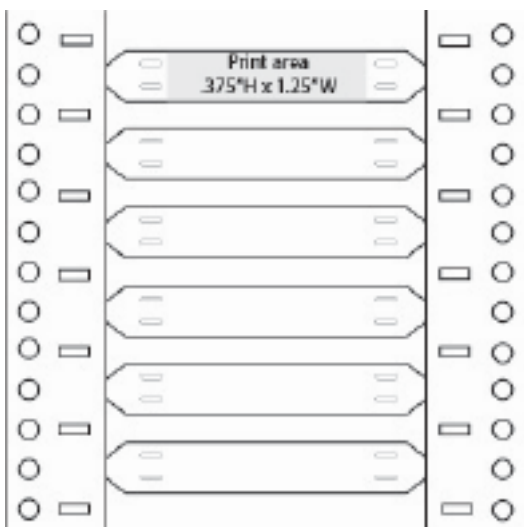
- Thermal transfer printable with recommended IDENTCO ELP Series printer
- Simple to use design
- Designed to offer no adhesion contact with the wire or cable



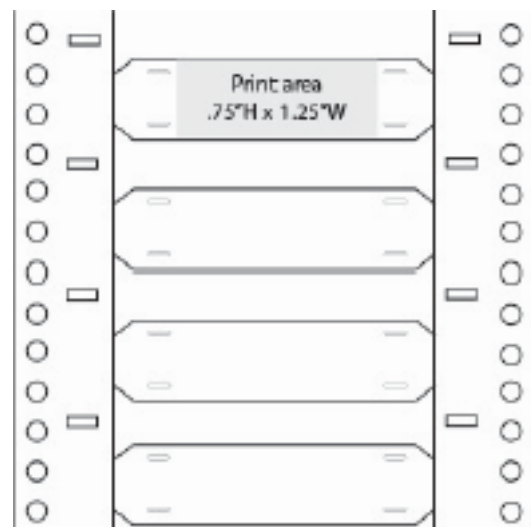
These cable markers are made of highly durable, flame retardent, low-smoke zero halogen (LSOH) polyolefin material.

Designed to identify wires, data center and a/v cables and harnesses. The marker material offers excellent tear, abrasion, heat and solvent resistance and the ability to easily print on any of IDENTCO's ELP thermal transfer printers with TTRR-D ribbon.

CMT-10.4-53-1W-4H



CMT-10.4-53-2W-4H



# THERMAL TRANSFER RIBBONS

## TTRR™ SERIES

### HIGHLIGHTS

- Abrasion & solvent resistant
- Legend permanence
- Compatible with standard thermal transfer printers
- **UL/CSA approved\***

### FEATURES

- High performance resin and resin / wax
- Coated side in / side out



**\*UL recognition is contingent upon printing with the appropriate IDENTCO material and TTRR™ ribbon combination as specified by Underwriters Laboratories testing.**

#### TTRR-A: WAX-RESIN RIBBONS - VINYL CSO CSI

TTRR-A2.36Z]	Black	2.36" x 1,476 ft.	60mm x 450m	•
TTRR-A3.0F	Black	3.00" x 1,181 ft.	76mm x 360m	•
TTRR-A3.15Z	Black	3.15" x 984 ft.	80mm x 300m	•
TTRR-A3.26Z]	Black	3.26" x 1,476 ft.	83mm x 450m	•
TTRR-A3.54Z]	Black	3.54" x 1,476 ft.	90mm x 450m	•
TTRR-A4.0F	Black	4.00" x 1,182 ft.	102mm x 360m	•
TTRR-A4.33Z]	Black	4.33" x 1,476 ft.	110mm x 450m	•
TTRR-A4.5F	Black	4.50" x 1,182 ft.	114mm x 360m	•

#### TTRR-D: ULTRA-DURABLE RESIN RIBBON - FILM CSO CSI

TTRR-D1.0Z	Black	1.00" x 985 ft.	25mm x 300m	•
TTRR-D1.57Z]	Black	1.57" x 1,476 ft.	40mm x 450m	•
TTRR-D2.36Z]	Black	2.36" x 1,476 ft.	60mm x 450m	•
TTRR-D3.27Z]	Black	3.27" x 1,476 ft.	83mm x 450m	•
TTRR-D3.54Z]	Black	3.54" x 1,476 ft.	90mm x 450m	•
TTRR-D4.33Z]	Black	4.33" x 1,476 ft.	110mm x 450m	•
TTRR-D1.5F	Black	1.50" x 1,181 ft.	38mm x 360m	•
TTRR-D2.0F	Black	2.00" x 1,181 ft.	51mm x 360m	•
TTRR-D3.0F	Black	3.00" x 1,181 ft.	76mm x 360m	•
TTRR-D3.5F	Black	3.50" x 1,181 ft.	89mm x 360m	•
TTRR-D4.25F	Black	4.25" x 1,181 ft.	108mm x 360m	•

#### TTRR-D (COLORS): ULTRA-DURABLE RESIN RIBBON - FILM CSO CSI

TTRR-D3.54RDZ	Red	3.54" x 985 ft.	89mm x 300m	•
TTRR-D3.54BLZ	Blue	3.54" x 985 ft.	89mm x 300m	•
TTRR-D3.54GRZ	Green	3.54" x 985 ft.	89mm x 300m	•



# THERMAL TRANSFER RIBBONS



## TTR™ SERIES

### HIGHLIGHTS

- Legend permanence
- Compatible with standard thermal transfer printers

### FEATURES

- General purpose wax
- Coated side in / side out

IDENTCO TTR™ Series thermal transfer ribbons are ideal for general purpose applications, including packaging and shipping labels. IDENTCO offers a complete line of thermal transfer ribbons. Please contact an IDENTCO Application Engineer for recommendations on the selection of the appropriate ribbons.

### TTR™ SERIES: GENERAL PURPOSE WAX RIBBONS

Part Number	Color	Width	Length	Width	Length	CSO	CSI
TTR-1.57ZJ	Black	1.57" x	1,476 ft.	40mm x	450m	•	
TTR-2.36ZJ	Black	2.36" x	1,476 ft.	60mm x	450m	•	
TTR-3.15Z	Black	3.15" x	985 ft.	80mm x	300m	•	
TTR-3.26ZJ	Black	3.26" x	1,476 ft.	83mm x	450m	•	
TTR-3.5F	Black	3.50" x	985 ft.	89mm x	300m		•
TTR-3.54ZJ	Black	3.50" x	1,476 ft.	89mm x	450m	•	
TTR-3.75Z	Black	3.75" x	985 ft.	95mm x	300m	•	
TTR-4.0F	Black	4.00" x	1,182 ft.	102mm x	360m		•
TTR-4.25F	Black	4.25" x	1,182 ft.	108mm x	360m		•
TTR-4.33Z	Black	4.33" x	985 ft.	110mm x	300m	•	
TTR-4.33ZJ	Black	4.33" x	1,476 ft.	110mm x	450m	•	
TTR-4.5F	Black	4.50" x	1,182 ft.	114mm x	360m		•
TTR-5.12ZJ	Black	5.12" x	1,476 ft.	130mm x	450m	•	
TTR-6.0ZJ	Black	6.00" x	1,476 ft.	152mm x	450m	•	
TTR-6.5Z	Black	6.50" x	985 ft.	165mm x	300m	•	



# THERMAL TRANSFER PRINTERS

## ELP-D™ ELP-I™ ELP-I2™ SERIES

- Desktop Printer: ELP-D™
- Industrial Printer: ELP-I™
- Industrial Printer: ELP-I2™

### HIGHLIGHTS

- Extremely cost-effective printers
- Quickly integrate with production lines
- Readily accepts a broad array of labels and ribbons

### ELP-D™

Quality thermal printing for any budget. An affordable and easy-to-use desktop printer for a wide variety of basic, lower-volume labeling applications, including wire-marking products.

### ELP-I™

Perfect for economical, high-performance printing. Rugged and reliable for printing a wide variety of durable label formats in high-volume, demanding applications. A universal printer capable of multiple connectivity and label printing/presenting options making it a easy fit in any industrial operation.

### ELP-I2™

This Dual Sided Printer allows printing on both sides of a wire marking sleeve at the same time, all in one pass saving you time and money. This dual sided wire marker printing system allows you to print more of your information on one cable marker. In addition, you have better visibility of your information from several angles, saving you from costly and dangerous failures.

**Check us out on YouTube:**

[www.youtube.com/user/IDENTCOCorp](http://www.youtube.com/user/IDENTCOCorp)



# THERMAL TRANSFER PRINTERS

## ELP-D™ - ELP-I™ - ELP-I2™ SERIES

### FEATURES

- Dpi conversion capability
- Multiple label presentation modes
- Multi connectivity (USB, Ethernet & Wireless, Serial)
- Stand-alone mode printing
- Micro-miniature printing
- ZPL emulation
- On-site service plans\*
- 2 year warranty (Printhead and Parts)
- 5 Year extended warranty\*
- Tech Support programs
- Unlimited phone support\*

\* Please call (800) 533-2559 and ask to speak to one of our Printer Application Engineers



### SPECIFICATIONS

	ELP-D™	ELP-I™	ELP-I2™
Print method	Thermal Transfer & Direct Thermal		
Dual Side Printing	No	No	Yes
Print resolution dpi	300	300/600	300
Print speed up to mm/s	127	300/150	125
Print width mm	106	106	105
Media roll total up to mm	127	205	300
Label width mm	20 -112	20 -116	10-110

IDENTCO presents the ELP™ series of thermal transfer printers. Faster ELP™ printers allow users to load, print, and change materials more efficiently. The ability to operate with a computer or network or in stand alone mode offers flexible printer operation.





**Labels for Life.**

[www.identco.com](http://www.identco.com)

**UNITED STATES  
HEADQUARTERS**

28164 W. Concrete Drive  
Ingleside, IL 60041  
Phone: +1 (815) 385 - 0011  
Fax +1 (815) 385 - 0359

**MEXICO  
MONTERREY**

Carr. a Laredo Km. 16.5 Interior  
14B, Col. Moisés Sáenz, 66613  
Apodaca, Nuevo Leon  
Phone: +52 (81) 8008 - 0438

**GERMANY  
FRANKFURT**

Güterbahnhofstrasse 3-7  
63450 Hanau  
Phone: +49 (6181) 440 830 - 0  
Fax: +49 (6181) 440 830 - 99

**PRC  
HONG KONG**

Unit 1708, 17/F, 9 Wing Hong St.  
Cheung Sha Wan, Kowloon  
Phone: +852 2959 2156  
Fax: +852 2959 2019

**MALAYSIA  
PENANG**

Suite 163E, Level 16, Room 1602  
Hunza Tower Gurney Paragon  
Jalan Kelawei, Georgetown  
10250 Penang  
Phone: +6012 466 - 0866